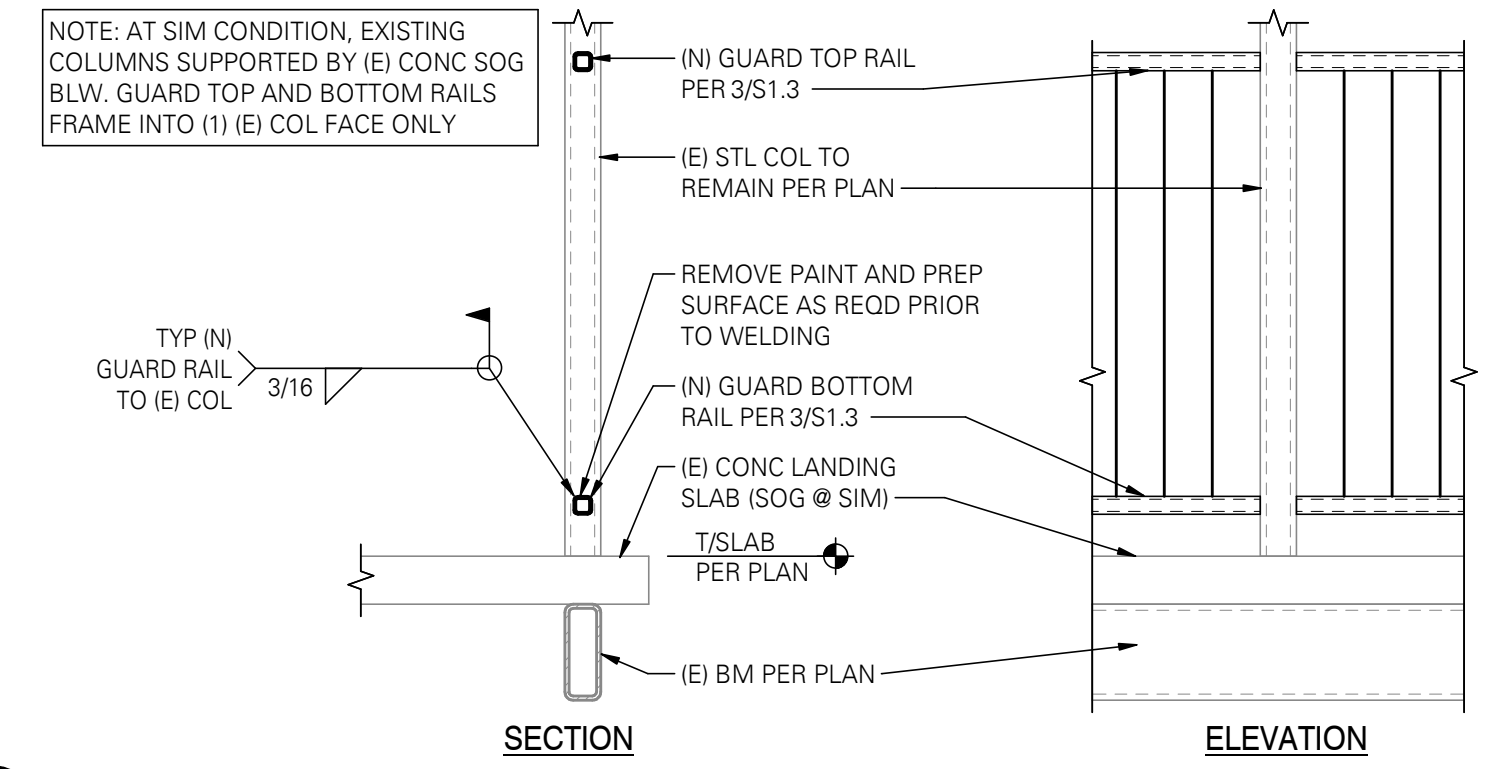


1 ALTERNATE - LOWER GUARDRAIL REPLACEMENT - MIDDLE STAIR
SCALE: 1/2" = 1'-0"

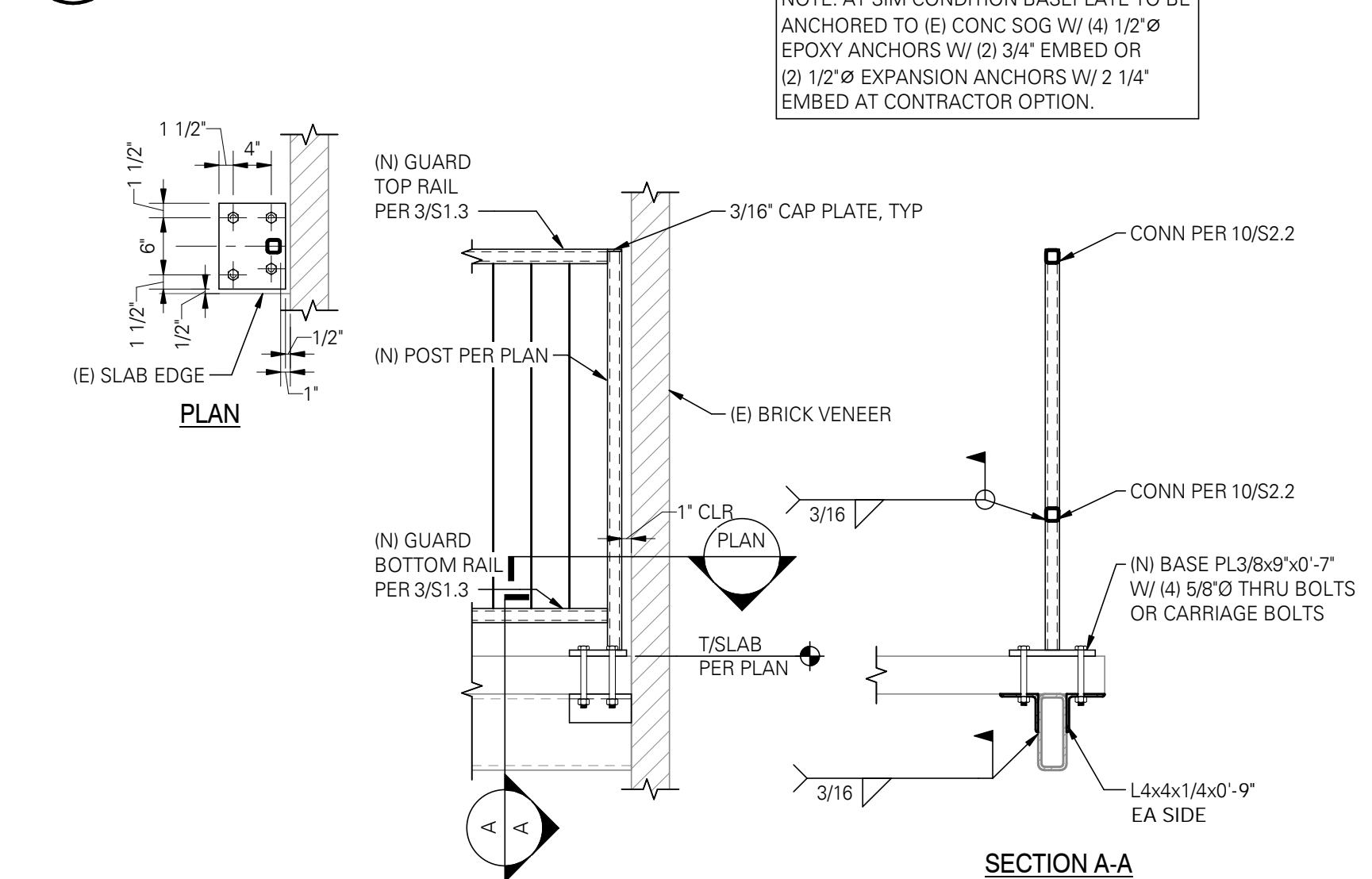
- PLAN NOTES:**
- STRUCTURAL GENERAL NOTES, DESIGN CRITERIA, ABBREVIATIONS, AND LEGEND PER S0.1 AND S0.2.
 - ALL EXISTING DIMENSIONS SHALL BE FIELD VERIFIED BEFORE STAIR DEMOLITION. ALL DIMENSIONS ARE BASED ON FIELD MEASUREMENTS OF THE EXISTING STAIRS AND ARE FOR PRICING PURPOSES ONLY. CONTRACTOR SHALL FIELD VERIFY THAT THE DIMENSIONS MATCH EXISTING.
 - STEEL GRATING PER PLAN AND STRUCTURAL GENERAL NOTES. GRATING ATTACHMENT REQUIREMENTS PER STRUCTURAL GENERAL NOTES.
 - TOP OF STEEL ELEVATIONS ARE RELATIVE AND BASED ON THE FIELD MEASURED ELEVATIONS AT THE LANDINGS.
 - HANDRAILS AND GUARDRAILS NOT SHOWN ON PLAN FOR CLARITY. GUARDRAIL LOCATION AND EXTENTS TO MATCH EXISTING HANDRAILS PER 7 & 8/S2.2.

PLAN NOTES:

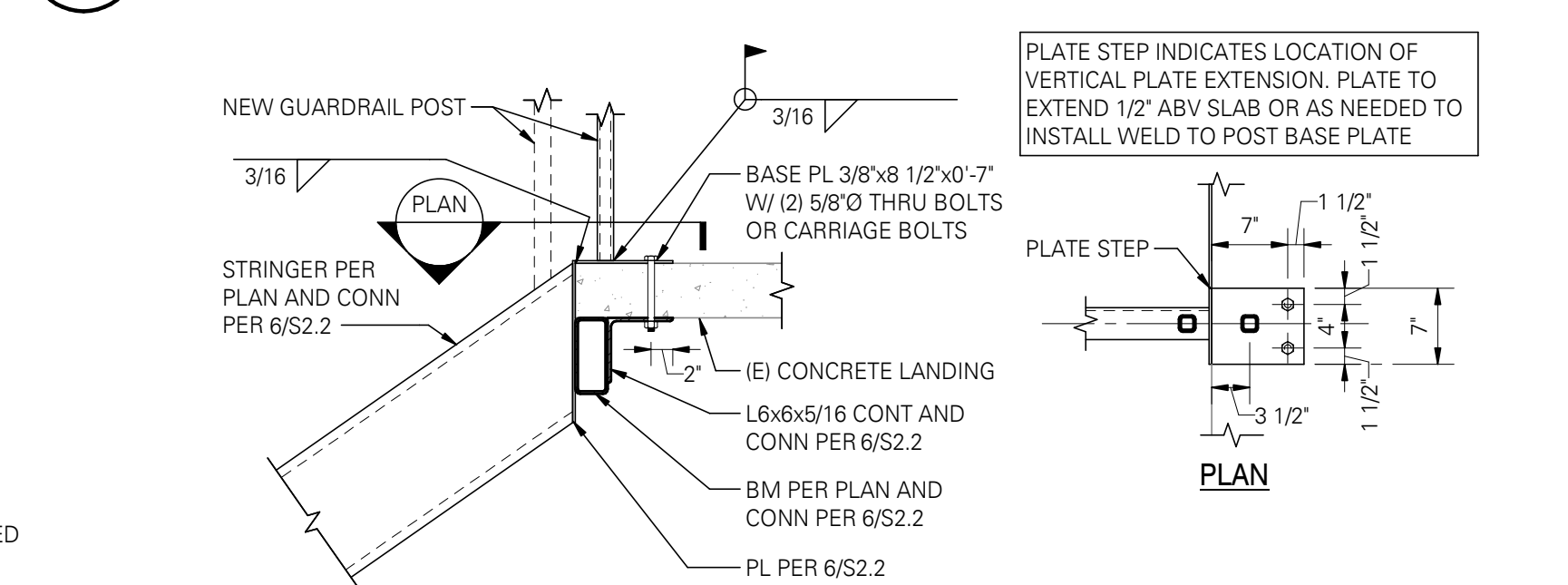
(E)	EXISTING
(N)	NEW
(V)	VERIFY TO MATCH (E) DIMENSION IN FIELD
	PRECAST CONCRETE PLANK OR METAL GRATING SPAN DIRECTION
	TOP OF CONCRETE ELEVATION
	TOP OF FOOTING ELEVATION
	TOP OF CHANNEL ELEVATION



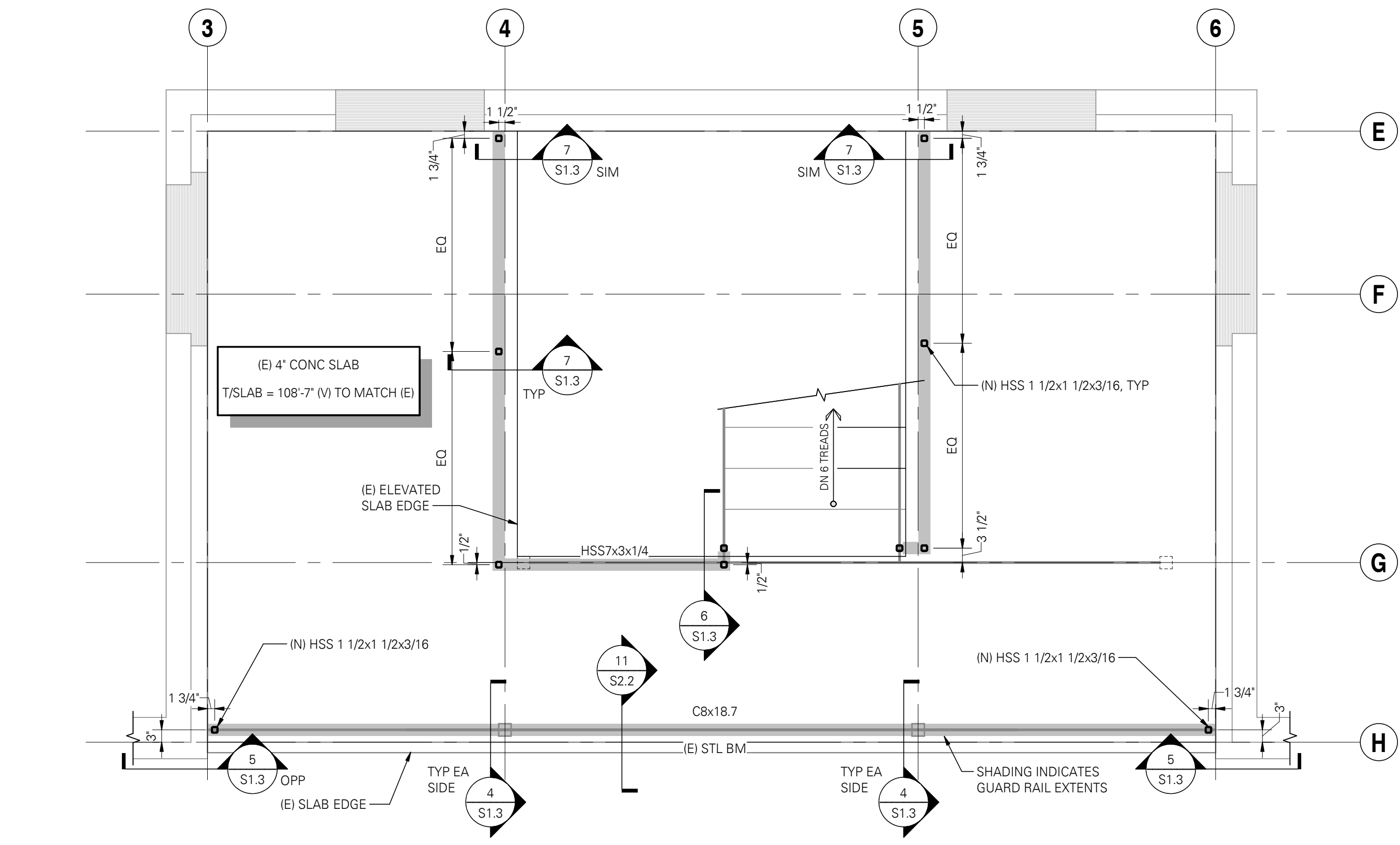
4 (N) GUARDRAIL AT (E) STL COL - GRID 'H'
SCALE: 3/4" = 1'-0"



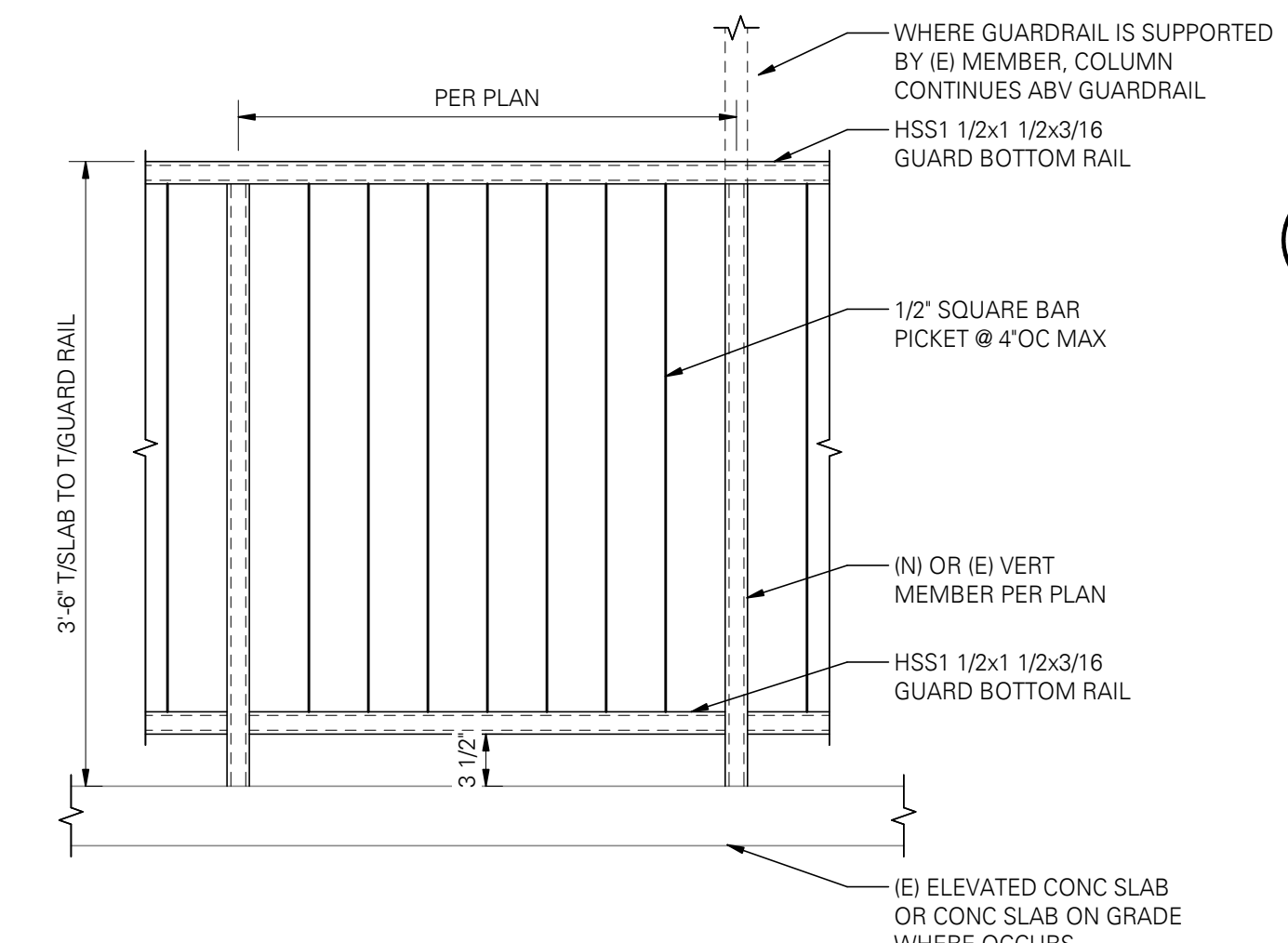
5 (N) GUARDRAIL AND POST AT (E) WALL - AT GRID 'H'
SCALE: 3/4" = 1'-0"



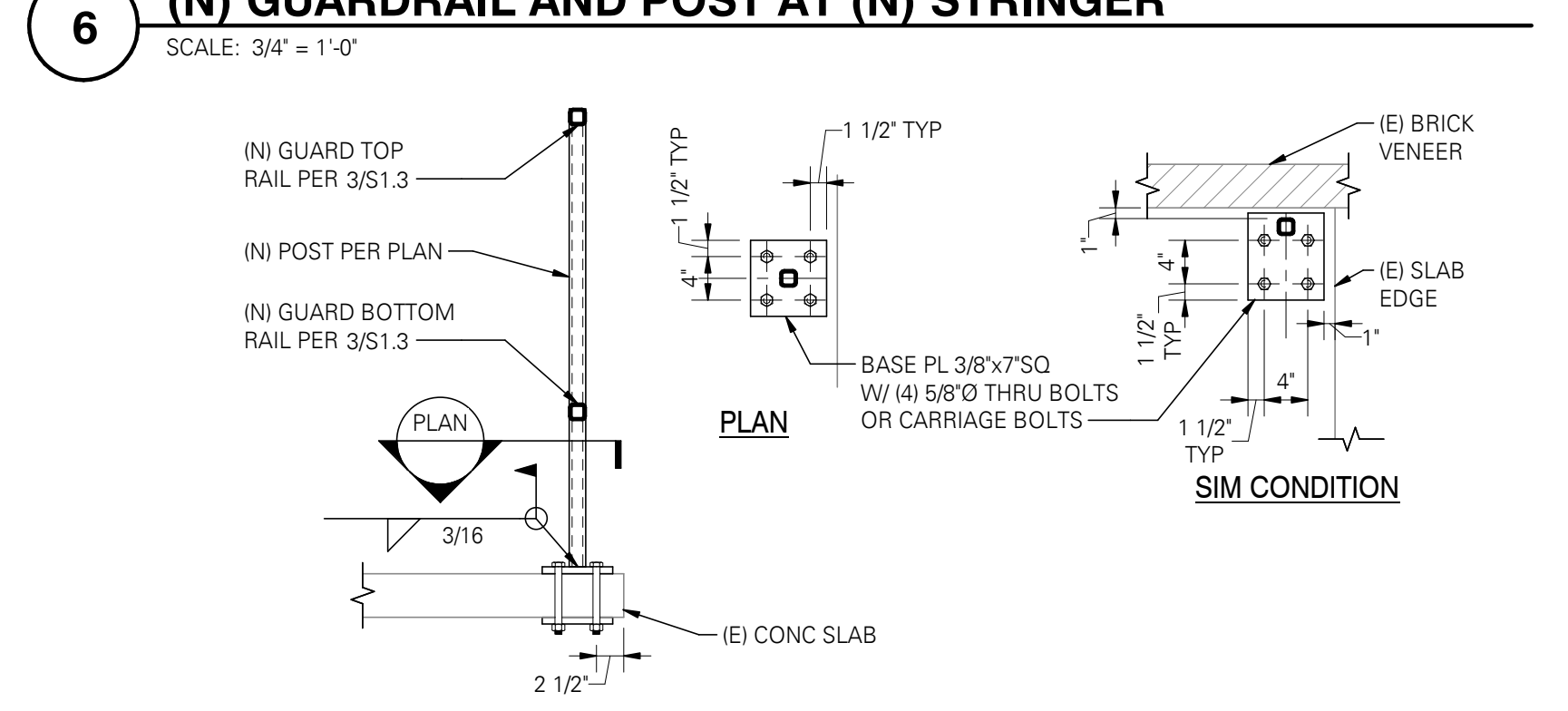
6 (N) GUARDRAIL AND POST AT (N) STRINGER
SCALE: 3/4" = 1'-0"



2 ALTERNATE - UPPER LANDING GUARDRAIL REPLACEMENT - MIDDLE STAIR
SCALE: 1/2" = 1'-0"



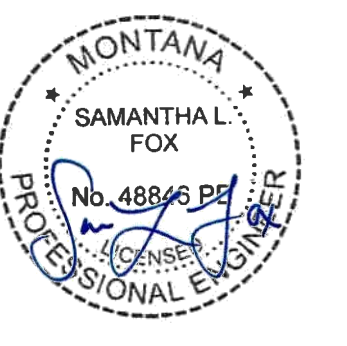
3 TYPICAL GUARDRAIL
SCALE: 1" = 1'-0"



7 TYPICAL GUARDRAIL POST ATTACHMENT AT (E) ELEVATED SLAB - GRIDS 4 AND 5
SCALE: 3/4" = 1'-0"

EDCI ENGINEERS
1060 Fowler Ave, Suite 202
Bozeman, Montana 59718
P: (406) 556-8600 www.edci-engineers.com
CIVIL STRUCTURAL
© Copyright 00.2016 D'Amato Conversano Inc. All Rights Reserved.

REV.	DESCRIPTION	DATE



PPA#22-0656

SHEET TITLE

ALTERNATE - GUARDRAIL REPLACEMENT

SHEET

SI.3

DATE
12-15-23